



1971-2011 40 years  
the power to control

# Flashing alarm annunciator units with signal storage FSB 08/16-48 -P USB

programmable for front panel installation 8 – 48 signal inputs

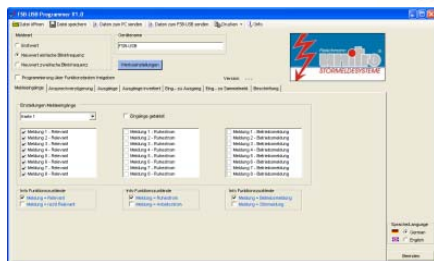
Types:

## **FSB 16/08 (16) –P USB**

flashing alarm annunciator  
8 or 16 signal inputs

## **FSB 48/08 (16/24/32/40/48) –P USB**

flashing alarm annunciator  
8 to 48 signal inputs  
in 8 input steps



### Controls and displays

- Bright 5mm LED display
- Separate status indicator (green = Power ON)
- Easily exchangeable label strips
- Integrated functional keys (+ external) + LED-Test

### Parameterization

- Rear integrated mini USB interface for parameterization using MS XP-Pro or Windows 7 Pro
- Quiescent / operating current – for each signal
- Running- / alarm – for each signal
- Response delay variable for each signal, max. 10min
- New alert / first alert

### Electrical characteristics

- 8 - 48 signal inputs with LED-display, red
- Clocked input circuitry to reduce power loss at DC
- Acknowledgeable flash warning
- Integrated mini horn
- EMC-values: Unitro-Standard in accordance with EN 61000
- Relay output: Change-over contact max. 5A 250V AC, 3A 30V DC

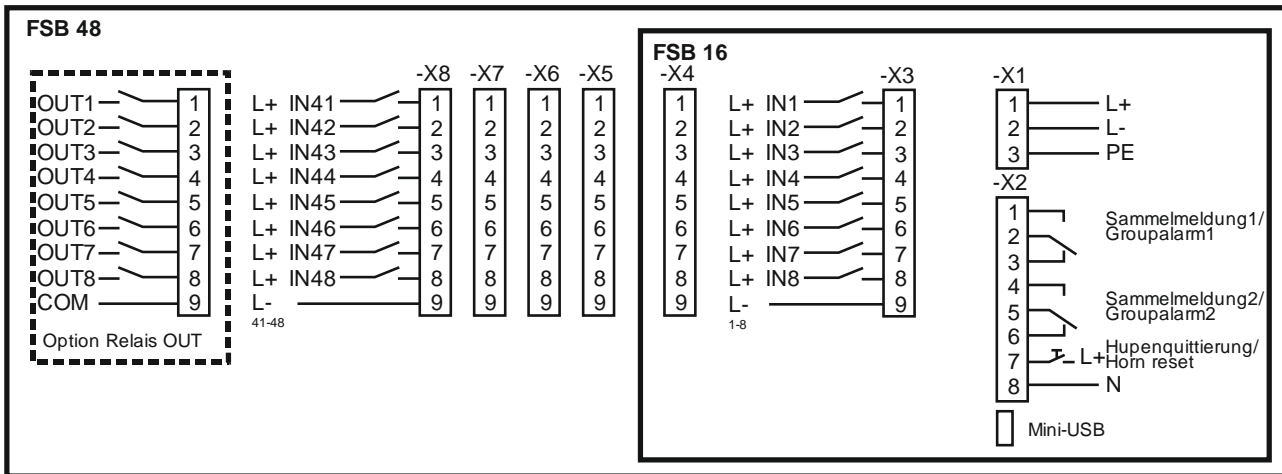
### Mechanical characteristics

- Compact plastic junction housing 96/192 x 96 x 100mm. Degree of protection: front IP50
- Screw-type terminals, plug connection for connection max. 2,5mm<sup>2</sup>

### Option

- 8 Outputs, normally-open contacts with common ground (then max. 40 signal inputs)

## Connection diagram FSB 16 and FSB 48-P USB



### Technical data:

- Type of construction:**  
control panel bay  
96x96x75+25mm / 192x96x75+25mm  
(cutting for installation: 92x92 / 186x92mm)
- Degree of protection:**  
front IP50, rear IP20  
(FSB16 optional IP54)
- Weight:**  
FSB 16 approx. 400g  
FSB 48 approx. 650g
- Connection:**  
screw-type terminals/ plug connection  
max. 2,5 mm<sup>2</sup>
- Climatically conditions:**  
in accordance with Unitro-Standard
- Front panel buttons:**  
acknowledge horn  
acknowledge flash light  
LED test
- External button:**  
acknowledge horn (normally open contact)
- Supply voltage:**  
24V AC/DC, 60V DC ± 10 - 15%  
110V DC ± 10 - 15%  
220V DC, 230V AC ± 10 - 15%
- Max. fuse:**  
4A medium slow
- Input level for signal inputs:**

24V AC/DC	± 10% - 15%	4 mA
60V DC	± 10% - 15%	2,5 mA
110V DC	± 10% - 15%	2,5 mA
220V DC	± 10% - 15%	2 mA
230V AC	± 10% - 15%	3 mA
- Minimum signal duration:**  
DC: 10ms / AC: 100ms
- Data retention in the absence of power:**  
flash memory
- Power loss 100% ED:**  
24V AC/DC / 60V DC max. 4,5W  
110V DC / 220V DC / 230V AC max. 5,9W  
clocked input circuitry to reduce power loss at DC
- LED-signal:**  
with marking strips  
new alert: red flash light  
acknowledge: red steady light  
alarm removed: LED dark  
power on: green steady light
- Flashing frequencies:**  
alarms 2Hz / 0,5Hz
- Relay outputs:**  
collective message and horn contact, isolated change-over contact, max. 250V 5A  
Option: 8 Outputs, normally-open contacts with common ground
- Parameterization:**  
front panel pushbutton or mini USB interface  
per input: running- / alarm  
quiescence- / operation current  
switch on delay max. 10min  
output contacts  
overall: first up / new alert
- Leakage distances and clearances:**  
in accordance with Unitro-Standard
- EMC, immunity of interference:**  
Unitro-Standard,  
in accordance with EN 61000